

## Wall Cabinets

### DESCRIPTION

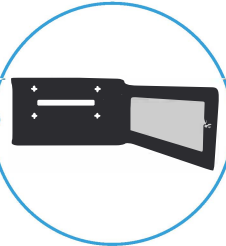
This Sframe™ Full welded Wall Cabinet line is designed with maximum protection and strength. Back panel is enhanced with extra layer of corner plates to ensure the sturdy mount for the networking and telecommunications equipments.

### FEATURES

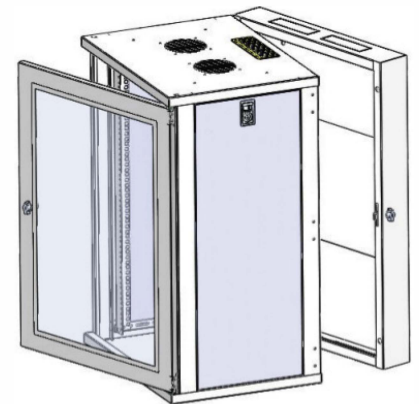


removable side panels

rack sizes from 6U up to 27U



rugged frame to support heavy loads

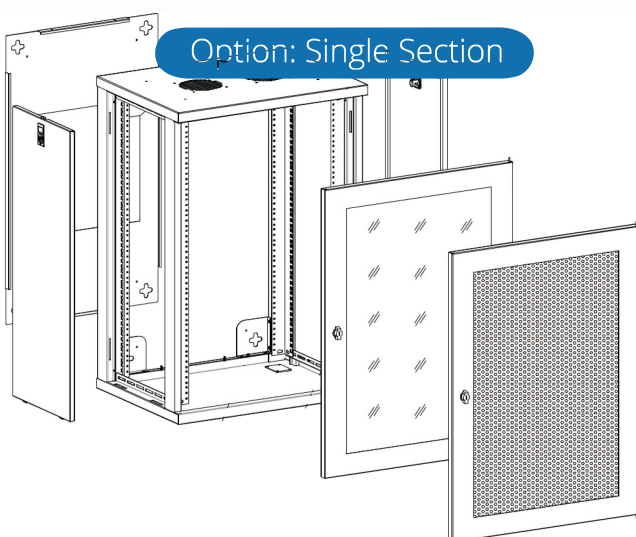


### SPECIFICATIONS

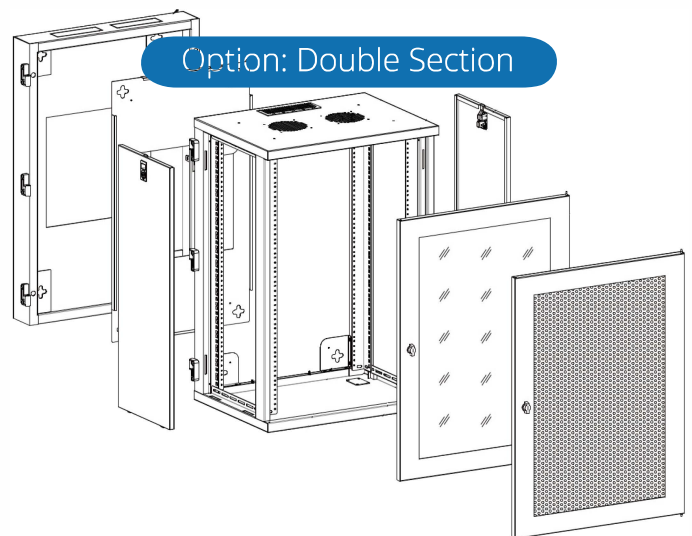
- 19-inch mounting width suitable for most networking equipment
- Conforms to industry standard ANSI/EIA-310-D mounting configuration
- Up to 90kg (200lbs) static load capacity
- Body and frame fabricated from cold rolled steel
- Matte black powder-coated finish (also available in white)

### OPTIONS

Sframe™ Wall Cabinets are offered with either single section or double section design depending on use case



Option: Single Section



Option: Double Section



## CONFIGURATIONS

Sframe™ Wall Cabinets are offered in the following standard configurations

RACK UNITS	SECTIONS	DEPTH	PART NUMBER	DOOR	COLOR
6U	Single	200mm (7.87")	SWC-PKST-03-6U620	B1 (Glass) B2 (Perspex) D (Perforated)	CBK (black), CWH (white)
		450mm (17.72")	SWC-PKST-03-6U645		
		650mm (25.60")	SWC-PKST-03-6U665		
	Double	300mm (11.81")	SWC-PKST-04-6U630		
		550mm (21.65")	SWC-PKST-04-6U655		
		750mm (29.53")	SWC-PKST-04-6U675		
9U	Single	200mm (7.87")	SWC-PKST-03-9U620		
		450mm (17.72")	SWC-PKST-03-9U645		
		650mm (25.60")	SWC-PKST-03-9U665		
	Double	300mm (11.81")	SWC-PKST-04-9U630		
		550mm (21.65")	SWC-PKST-04-9U655		
		750mm (29.53")	SWC-PKST-04-9U675		
12U	Single	200mm (7.87")	SWC-PKST-03-12U620		
		450mm (17.72")	SWC-PKST-03-12U645		
		650mm (25.60")	SWC-PKST-03-12U665		
	Double	300mm (11.81")	SWC-PKST-04-12U630		
		550mm (21.65")	SWC-PKST-04-12U655		
		750mm (29.53")	SWC-PKST-04-12U675		
15U	Single	200mm (7.87")	SWC-PKST-03-15U620		
		450mm (17.72")	SWC-PKST-03-15U645		
		650mm (25.60")	SWC-PKST-03-15U665		
	Double	300mm (11.81")	SWC-PKST-04-15U630		
		550mm (21.65")	SWC-PKST-04-15U655		
		750mm (29.53")	SWC-PKST-04-15U675		
18U	Single	200mm (7.87")	SWC-PKST-03-18U620		
		450mm (17.72")	SWC-PKST-03-18U645		
		650mm (25.60")	SWC-PKST-03-18U665		
	Double	300mm (11.81")	SWC-PKST-04-18U630		
		550mm (21.65")	SWC-PKST-04-18U655		
		750mm (29.53")	SWC-PKST-04-18U675		
27U (By Order)	Single	200mm (7.87")	SWC-PKST-03-27U620		
		450mm (17.72")	SWC-PKST-03-27U645		
		650mm (25.60")	SWC-PKST-03-27U665		
	Double	300mm (11.81")	SWC-PKST-04-27U630		
		550mm (21.65")	SWC-PKST-04-27U655		
		750mm (29.53")	SWC-PKST-04-27U675		

- Standard configurations can be ordered as <PART NUMBER>-<DOOR>-<COLOR> (eg. SWC-PKST-04-27U630-B1-CBK)
- Custom configurations also available upon request, please contact our Sales team for more information

