

SERVER AND NETWORK CABINETS

SRK DATA SERIES

The SRK Data Series Cabinets have the capacity and quality to meet modern IT Data Center requirements for high density computing and networking. Available in several heights, widths, and depths they provide flexible ways to mount servers, patch panels, routers, and other sensitive electronic devices reliably and securely. With perforated front and rear doors for front to rear airflow, built-in cable and PDU management, and static load capacity of 3000 lbs., these cabinets satisfy any requirement for mounting mission-critical equipment.



42U Cabinet Black



42U Cabinet White



FEATURES

- Available in five heights; 42U, 45U, 47U, 48U, and 52U.
- 19" EIA mounting in three widths; 600 mm, 750 mm, and 800 mm.
- Three depths available; 800 mm, 1000 mm, 1130 mm.
- Locking front and rear doors with perforation for airflow.
- Horizontally split, locking, side panels make access easy.
- Vertical cable/PDU managers (two) included.
- Square hole mounting rails are adjustable front to rear.
- Rear doors are split "french style" to save aisle space.
- Grounding kit and baying hardware included.
- Levelers and heavy-duty casters are standard.
- Full range of optional accessories.
- Mounting hardware included.

PAINT/FINISH

Textured black powder (S)
Textured white powder (RTO)

STATIC LOAD RATING

3000 lbs. [1364 kg.]

DYNAMIC LOAD RATING

2400 lbs. [1088 kg.]

INDUSTRY STANDARDS

EIA 310-D



(S) Stock Item | (RTO) Ready to Order



SERVER AND NETWORK CABINETS



600 mm Wide - 19" EIA
Bottom Panel Optional



800 mm Wide - 19" EIA
Bottom Panel Optional

ADJUSTABLE MOUNTING RAILS

Fully adjustable front-to-rear.
.40" (10 mm) Increments.
Numbers assist with alignment.

LIFT OFF DOORS

Quick release. Easy on and off.
Field reversible. 120° of rotation.
Ground wire and locks included.



INTEGRATED CABLE MANAGEMENT

The top has integrated cable entry/exit points. Each cabinet includes two vertical cable managers.
The 800 mm wide version includes cable mangers with fingers to assist with front-to-rear cable management.



SERVER AND NETWORK CABINETS



PART NUMBERS - 600 MM WIDE

These cabinets come fully assembled on a pallet and include: Frame, Two Pair Square Hole Rails, Solid Side Panels, Perforated Door on Front, Split Perforated “French Style” Door on Rear, Top with Brush Cable Pass Through Slots, Two Vertical Lacing Panels, Casters, Levelers, and Mounting Hardware.

800 mm Deep Part Number	Rack Units	Overall Dimensions H x W x D in. (mm)	Maximum Rail to Rail Depth in. (mm)	Depth with Doors Open in. (mm)		
				D1	D2	D3
AF42-68C2-KLA	42U	78.43" x 23.62" x 35.16" (1992 mm x 600 mm x 893 mm)	20.87" .40" Increments (530 mm) (10 mm Increments)	43.66" (1109 mm)	52.91" (1344 mm)	64.72" (1644 mm)
AF45-68C2-KLA	45U	83.66" x 23.62" x 35.16" (2125 mm x 600 mm x 893 mm)	20.87" .40" Increments (530 mm) (10 mm Increments)	43.66" (1109 mm)	52.91" (1344 mm)	64.72" (1644 mm)
AF47-68C2-KLA	47U	87.17" x 23.62" x 35.16" (2214 mm x 600 mm x 893 mm)	20.87" .40" Increments (530 mm) (10 mm Increments)	43.66" (1109 mm)	52.91" (1344 mm)	64.72" (1644 mm)
AF48-68C2-KLA	48U	88.94" x 23.62" x 35.16" (2259 mm x 600 mm x 893 mm)	20.87" .40" Increments (530 mm) (10 mm Increments)	43.66" (1109 mm)	52.91" (1344 mm)	64.72" (1644 mm)
AF52-68C2-KLA	52U	95.91" x 23.62" x 35.16" (2436 mm x 600 mm x 893 mm)	20.87" .40" Increments (530 mm) (10 mm Increments)	43.66" (1109 mm)	52.91" (1344 mm)	64.72" (1644 mm)

1000 mm Deep Part Number	Rack Units	Overall Dimensions H x W x D in. (mm)	Maximum Rail to Rail Depth in. (mm)	Depth with Doors Open in. (mm)		
				D1	D2	D3
AF42-610C2-KLA	42U	78.43" x 23.62" x 43.03" (1992 mm x 600 mm x 1039 mm)	28.74" .40" Increments (730 mm) (10 mm) Increments	51.57" (1310 mm)	60.83" (1545 mm)	72.64" (1845 mm)
AF45-610C2-KLA	45U	83.66" x 23.62" x 43.03" (2125 mm x 600 mm x 1039 mm)	28.74" .40" Increments (730 mm) (10 mm) Increments	51.57" (1310 mm)	60.83" (1545 mm)	72.64" (1845 mm)
AF47-610C2-KLA	47U	87.17" x 23.62" x 43.03" (2214 mm x 600 mm x 1039 mm)	28.74" .40" Increments (730 mm) (10 mm) Increments	51.57" (1310 mm)	60.83" (1545 mm)	72.64" (1845 mm)
AF48-610C2-KLA	48U	88.94" x 23.62" x 43.03" (2259 mm x 600 mm x 1039 mm)	28.74" .40" Increments (730 mm) (10 mm) Increments	51.57" (1310 mm)	60.83" (1545 mm)	72.64" (1845 mm)
AF52-610C2-KLA	52U	95.91" x 23.62" x 43.03" (2436 mm x 600 mm x 1039 mm)	28.74" .40" Increments (730 mm) (10 mm) Increments	51.57" (1310 mm)	60.83" (1545 mm)	72.64" (1845 mm)

1130 mm Deep Part Number	Rack Units	Overall Dimensions H x W x D in. (mm)	Maximum Rail to Rail Depth in. (mm)	Depth with Doors Open in. (mm)		
				D1	D2	D3
AF42-612C2-KLA	42U	78.43" x 23.62" x 48.15" (1992 mm x 600 mm x 1223 mm)	33.86" .40" Increments (860 mm) (10 mm) Increments	56.69" (1440 mm)	65.95" (1675 mm)	77.76" (1975 mm)
AF45-612C2-KLA	45U	83.66" x 23.62" x 48.15" (2125 mm x 600 mm x 1223 mm)	33.86" .40" Increments (860 mm) (10 mm) Increments	56.69" (1440 mm)	65.95" (1675 mm)	77.76" (1975 mm)
AF47-612C2-KLA	47U	87.17" x 23.62" x 48.15" (2214 mm x 600 mm x 1223 mm)	33.86" .40" Increments (860 mm) (10 mm) Increments	56.69" (1440 mm)	65.95" (1675 mm)	77.76" (1975 mm)
AF48-612C2-KLA	48U	88.94" x 23.62" x 48.15" (2259 mm x 600 mm x 1223 mm)	33.86" .40" Increments (860 mm) (10 mm) Increments	56.69" (1440 mm)	65.95" (1675 mm)	77.76" (1975 mm)
AF52-612C2-KLA	52U	95.91" x 23.62" x 48.15" (2436 mm x 600 mm x 1223 mm)	33.86" .40" Increments (860 mm) (10 mm) Increments	56.69" (1440 mm)	65.95" (1675 mm)	77.76" (1975 mm)

The part numbers listed above are finished in Black powder coat. If White powder coat is required, switch the last letter in the part number to "B"
 Example: **AF42-610C2-KLA** becomes **AF42-610C2-KLB**.

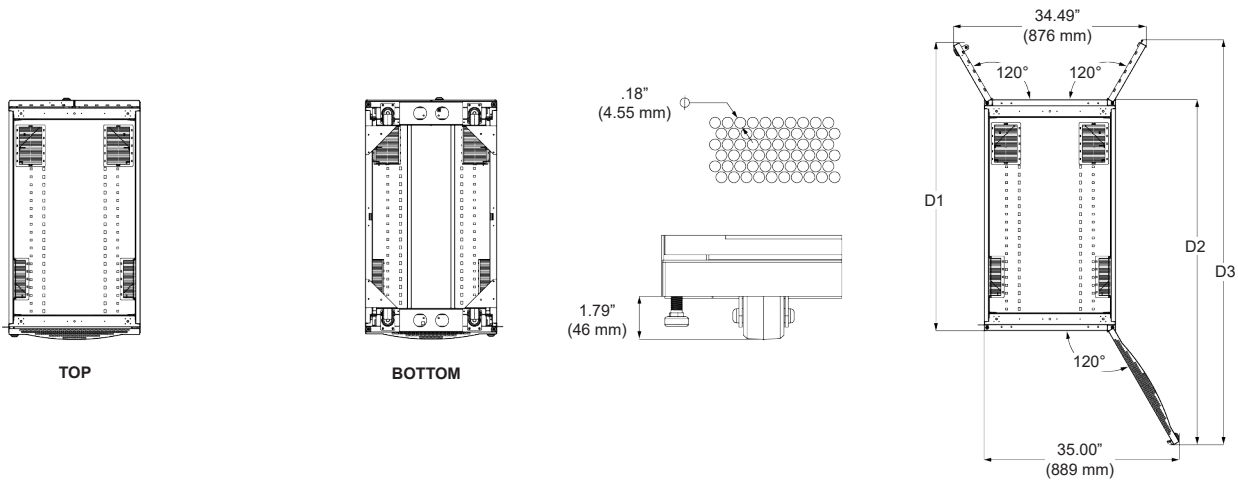
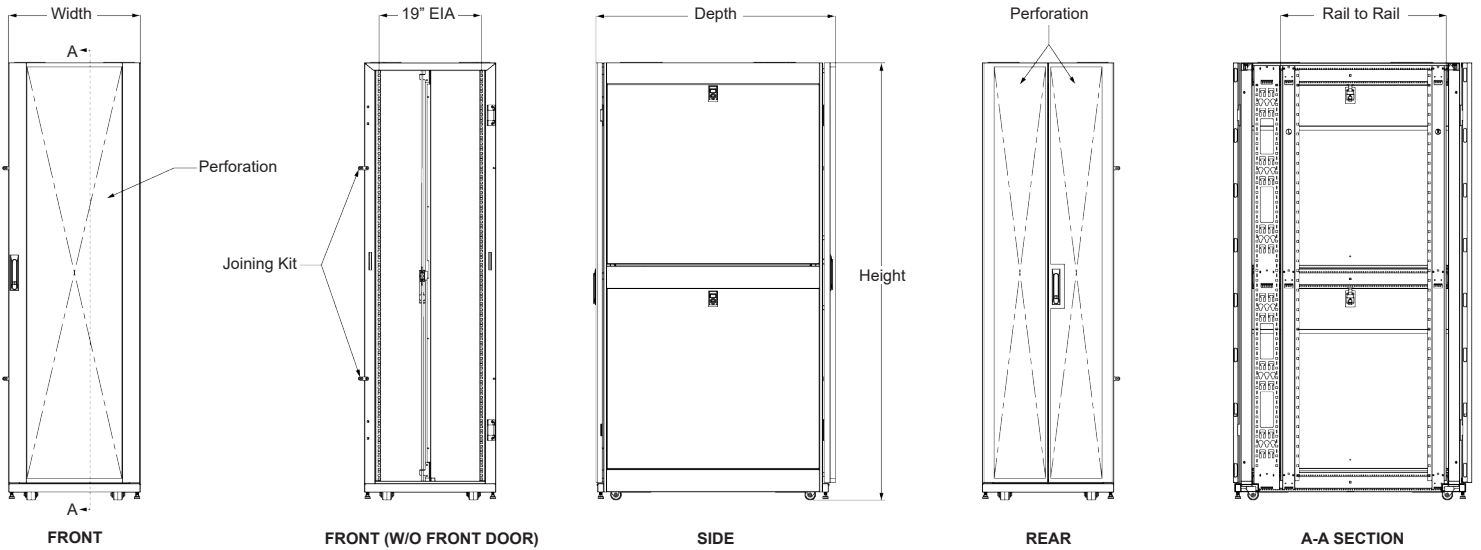
©2023 SharkRack. All rights reserved. SharkRack™ and the SharkRack logo are trademarks or registered trademarks of SharkRack. All other names and logos referred to are trade names, trademarks, or registered trademarks of their respective owners. While every precaution has been taken to ensure accuracy and completeness, SharkRack assumes no responsibility and disclaims all liability for damages resulting from use of this information or for any errors or omissions. Specifications, rebates, and other promotional offers are subject to change at SharkRack's sole discretion upon notice.



SERVER AND NETWORK CABINETS



TECHNICAL SPECIFICATIONS - 600 MM WIDE



©2023 SharkRack. All rights reserved. SharkRack™ and the SharkRack logo are trademarks or registered trademarks of SharkRack. All other names and logos referred to are trade names, trademarks, or registered trademarks of their respective owners. While every precaution has been taken to ensure accuracy and completeness, SharkRack assumes no responsibility and disclaims all liability for damages resulting from use of this information or for any errors or omissions. Specifications, rebates, and other promotional offers are subject to change at SharkRack's sole discretion upon notice.



SERVER AND NETWORK CABINETS



PART NUMBERS - 750 MM WIDE

These cabinets come fully assembled on a pallet and include: Frame, Two Pair Square Hole Rails, Solid Side Panels, Perforated Door on Front, Split Perforated “French Style” Door on Rear, Top with Brush Cable Pass Through Slots, Two Vertical Lacing Panels with Cable Management Fingers, Casters, Levelers, and Mounting Hardware.

800 mm Deep Part Number	Rack Units	Overall Dimensions H x W x D in. (mm)	Maximum Rail to Rail Depth in. (mm)	Depth with Doors Open in. (mm)		
				D1	D2	D3
AF42-758C2-KLA	42U	78.43" x 29.53" x 35.16" (1992 mm x 750 mm x 893 mm)	20.87" .40" Increments (530 mm) (10 mm Increments)	46.26" (1175 mm)	58.07" (1475 mm)	72.44" (1840 mm)
AF45-758C2-KLA	45U	83.66" x 29.53" x 35.16" (2125 mm x 750 mm x 893 mm)	20.87" .40" Increments (530 mm) (10 mm Increments)	46.26" (1175 mm)	58.07" (1475 mm)	72.44" (1840 mm)
AF47-758C2-KLA	47U	87.17" x 29.53" x 35.16" (2214 mm x 750 mm x 893 mm)	20.87" .40" Increments (530 mm) (10 mm Increments)	46.26" (1175 mm)	58.07" (1475 mm)	72.44" (1840 mm)
AF48-758C2-KLA	48U	88.94" x 29.53" x 35.16" (2259 mm x 750 mm x 893 mm)	20.87" .40" Increments (530 mm) (10 mm Increments)	46.26" (1175 mm)	58.07" (1475 mm)	72.44" (1840 mm)
AF52-758C2-KLA	52U	95.91" x 29.53" x 35.16" (2436 mm x 750 mm x 893 mm)	20.87" .40" Increments (530 mm) (10 mm Increments)	46.26" (1175 mm)	58.07" (1475 mm)	72.44" (1840 mm)

1000 mm Deep Part Number	Rack Units	Overall Dimensions H x W x D in. (mm)	Maximum Rail to Rail Depth in. (mm)	Depth with Doors Open in. (mm)		
				D1	D2	D3
AF42-7510C2-KLA	42U	78.43" x 29.53" x 43.03" (1992 mm x 750 mm x 1039 mm)	28.74" .40" Increments (730 mm) (10 mm) Increments	54.13" (1375 mm)	65.94" (1675 mm)	80.31" (2040 mm)
AF45-7510C2-KLA	45U	83.66" x 29.53" x 43.03" (2125 mm x 750 mm x 1039 mm)	28.74" .40" Increments (730 mm) (10 mm) Increments	54.13" (1375 mm)	65.94" (1675 mm)	80.31" (2040 mm)
AF47-7510C2-KLA	47U	87.17" x 29.53" x 43.03" (2214 mm x 750 mm x 1039 mm)	28.74" .40" Increments (730 mm) (10 mm) Increments	54.13" (1375 mm)	65.94" (1675 mm)	80.31" (2040 mm)
AF48-7510C2-KLA	48U	88.94" x 29.53" x 43.03" (2259 mm x 750 mm x 1039 mm)	28.74" .40" Increments (730 mm) (10 mm) Increments	54.13" (1375 mm)	65.94" (1675 mm)	80.31" (2040 mm)
AF52-7510C2-KLA	52U	95.91" x 29.53" x 43.03" (2436 mm x 750 mm x 1039 mm)	28.74" .40" Increments (730 mm) (10 mm) Increments	54.13" (1375 mm)	65.94" (1675 mm)	80.31" (2040 mm)

1130 mm Deep Part Number	Rack Units	Overall Dimensions H x W x D in. (mm)	Maximum Rail to Rail Depth in. (mm)	Depth with Doors Open in. (mm)		
				D1	D2	D3
AF42-7512C2-KLA	42U	78.43" x 29.53" x 48.15" (1992 mm x 750 mm x 1223 mm)	33.86" .40" Increments (860 mm) (10 mm) Increments	59.25" (1505 mm)	71.06" (1805 mm)	85.43" (2170 mm)
AF45-7512C2-KLA	45U	83.66" x 29.53" x 48.15" (2125 mm x 750 mm x 1223 mm)	33.86" .40" Increments (860 mm) (10 mm) Increments	59.25" (1505 mm)	71.06" (1805 mm)	85.43" (2170 mm)
AF47-7512C2-KLA	47U	87.17" x 29.53" x 48.15" (2214 mm x 750 mm x 1223 mm)	33.86" .40" Increments (860 mm) (10 mm) Increments	59.25" (1505 mm)	71.06" (1805 mm)	85.43" (2170 mm)
AF48-7512C2-KLA	48U	88.94" x 29.53" x 48.15" (2259 mm x 750 mm x 1223 mm)	33.86" .40" Increments (860 mm) (10 mm) Increments	59.25" (1505 mm)	71.06" (1805 mm)	85.43" (2170 mm)
AF52-7512C2-KLA	52U	95.91" x 29.53" x 48.15" (2436 mm x 750 mm x 1223 mm)	33.86" .40" Increments (860 mm) (10 mm) Increments	59.25" (1505 mm)	71.06" (1805 mm)	85.43" (2170 mm)

The part numbers listed above are finished in Black powder coat. If White powder coat is required, switch the last letter in the part number to "B"
 Example: **AF42-7510C2-KLA** becomes **AF42-7510C2-KLB**.

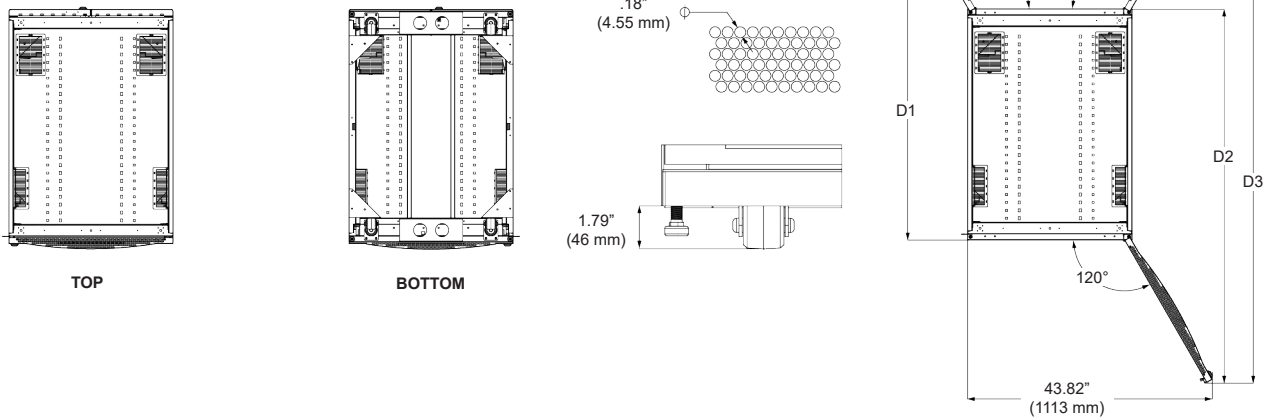
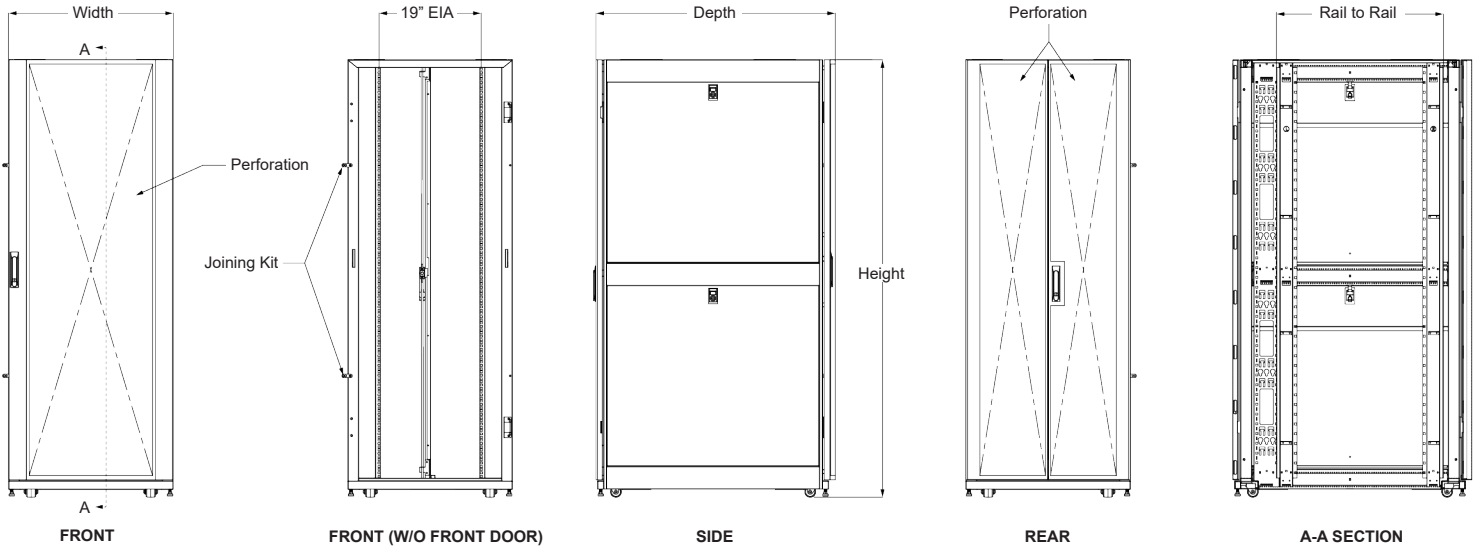
©2023 SharkRack. All rights reserved. SharkRack™ and the SharkRack logo are trademarks or registered trademarks of SharkRack. All other names and logos referred to are trade names, trademarks, or registered trademarks of their respective owners. While every precaution has been taken to ensure accuracy and completeness, SharkRack assumes no responsibility and disclaims all liability for damages resulting from use of this information or for any errors or omissions. Specifications, rebates, and other promotional offers are subject to change at SharkRack's sole discretion upon notice.



SERVER AND NETWORK CABINETS



TECHNICAL SPECIFICATIONS - 750 MM WIDE



©2023 SharkRack. All rights reserved. SharkRack™ and the SharkRack logo are trademarks or registered trademarks of SharkRack. All other names and logos referred to are trade names, trademarks, or registered trademarks of their respective owners. While every precaution has been taken to ensure accuracy and completeness, SharkRack assumes no responsibility and disclaims all liability for damages resulting from use of this information or for any errors or omissions. Specifications, rebates, and other promotional offers are subject to change at SharkRack's sole discretion upon notice.



SERVER AND NETWORK CABINETS



PART NUMBERS - 800 MM WIDE

These cabinets come fully assembled on a pallet and include: Frame, Two Pair Square Hole Rails, Solid Side Panels, Perforated Door on Front, Split Perforated “French Style” Door on Rear, Top with Brush Cable Pass Through Slots, Two Vertical Lacing Panels with Cable Management Fingers, Casters, Levelers, and Mounting Hardware.

800 mm Deep Part Number	Rack Units	Overall Dimensions H x W x D in. (mm)	Maximum Rail to Rail Depth in. (mm)	Depth with Doors Open in. (mm)		
				D1	D2	D3
AF42-88C2-KLA	42U	78.43" x 31.50" x 35.16" (1992 mm x 800 mm x 893 mm)	20.87" .40" Increments (530 mm) (10 mm Increments)	47.09" (1196 mm)	59.76" (1518 mm)	75.00" (1905 mm)
AF45-88C2-KLA	45U	83.66" x 31.50" x 35.16" (2125 mm x 800 mm x 893 mm)	20.87" .40" Increments (530 mm) (10 mm Increments)	47.09" (1196 mm)	59.76" (1518 mm)	75.00" (1905 mm)
AF47-88C2-KLA	47U	87.17" x 31.50" x 35.16" (2214 mm x 800 mm x 893 mm)	20.87" .40" Increments (530 mm) (10 mm Increments)	47.09" (1196 mm)	59.76" (1518 mm)	75.00" (1905 mm)
AF48-88C2-KLA	48U	88.94" x 31.50" x 35.16" (2259 mm x 800 mm x 893 mm)	20.87" .40" Increments (530 mm) (10 mm Increments)	47.09" (1196 mm)	59.76" (1518 mm)	75.00" (1905 mm)
AF52-88C2-KLA	52U	95.91" x 31.50" x 35.16" (2436 mm x 800 mm x 893 mm)	20.87" .40" Increments (530 mm) (10 mm Increments)	47.09" (1196 mm)	59.76" (1518 mm)	75.00" (1905 mm)

1000 mm Deep Part Number	Rack Units	Overall Dimensions H x W x D in. (mm)	Maximum Rail to Rail Depth in. (mm)	Depth with Doors Open in. (mm)		
				D1	D2	D3
AF42-810C2-KLA	42U	78.43" x 31.50" x 43.03" (1992 mm x 800 mm x 1039 mm)	28.74" .40" Increments (730 mm) (10 mm) Increments	54.96" (1396 mm)	67.64" (1718 mm)	82.87" (2105 mm)
AF45-810C2-KLA	45U	83.66" x 31.50" x 43.03" (2125 mm x 800 mm x 1039 mm)	28.74" .40" Increments (730 mm) (10 mm) Increments	54.96" (1396 mm)	67.64" (1718 mm)	82.87" (2105 mm)
AF47-810C2-KLA	47U	87.17" x 31.50" x 43.03" (2214 mm x 800 mm x 1039 mm)	28.74" .40" Increments (730 mm) (10 mm) Increments	54.96" (1396 mm)	67.64" (1718 mm)	82.87" (2105 mm)
AF48-810C2-KLA	48U	88.94" x 31.50" x 43.03" (2259 mm x 800 mm x 1039 mm)	28.74" .40" Increments (730 mm) (10 mm) Increments	54.96" (1396 mm)	67.64" (1718 mm)	82.87" (2105 mm)
AF52-810C2-KLA	52U	95.91" x 31.50" x 43.03" (2436 mm x 800 mm x 1039 mm)	28.74" .40" Increments (730 mm) (10 mm) Increments	54.96" (1396 mm)	67.64" (1718 mm)	82.87" (2105 mm)

1130 mm Deep Part Number	Rack Units	Overall Dimensions H x W x D in. (mm)	Maximum Rail to Rail Depth in. (mm)	Depth with Doors Open in. (mm)		
				D1	D2	D3
AF42-812C2-KLA	42U	78.43" x 31.50" x 48.15" (1992 mm x 800 mm x 1223 mm)	33.86" .40" Increments (860 mm) (10 mm) Increments	60.08" (1526 mm)	72.72" (1847 mm)	88.00" (2235 mm)
AF45-812C2-KLA	45U	83.66" x 31.50" x 48.15" (2125 mm x 800 mm x 1223 mm)	33.86" .40" Increments (860 mm) (10 mm) Increments	60.08" (1526 mm)	72.72" (1847 mm)	88.00" (2235 mm)
AF47-812C2-KLA	47U	87.17" x 31.50" x 48.15" (2214 mm x 800 mm x 1223 mm)	33.86" .40" Increments (860 mm) (10 mm) Increments	60.08" (1526 mm)	72.72" (1847 mm)	88.00" (2235 mm)
AF48-812C2-KLA	48U	88.94" x 31.50" x 48.15" (2259 mm x 800 mm x 1223 mm)	33.86" .40" Increments (860 mm) (10 mm) Increments	60.08" (1526 mm)	72.72" (1847 mm)	88.00" (2235 mm)
AF52-812C2-KLA	52U	95.91" x 31.50" x 48.15" (2436 mm x 800 mm x 1223 mm)	33.86" .40" Increments (860 mm) (10 mm) Increments	60.08" (1526 mm)	72.72" (1847 mm)	88.00" (2235 mm)

The part numbers listed above are finished in Black powder coat. If White powder coat is required, switch the last letter in the part number to "B"
 Example: **AF42-810C2-KLA** becomes **AF42-810C2-KLB**.

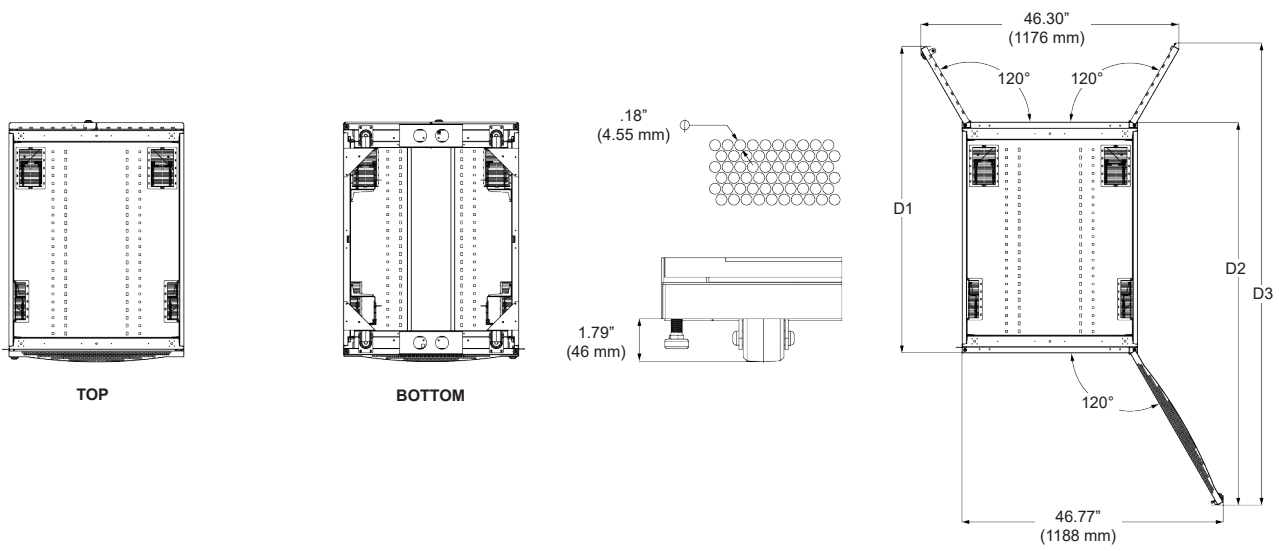
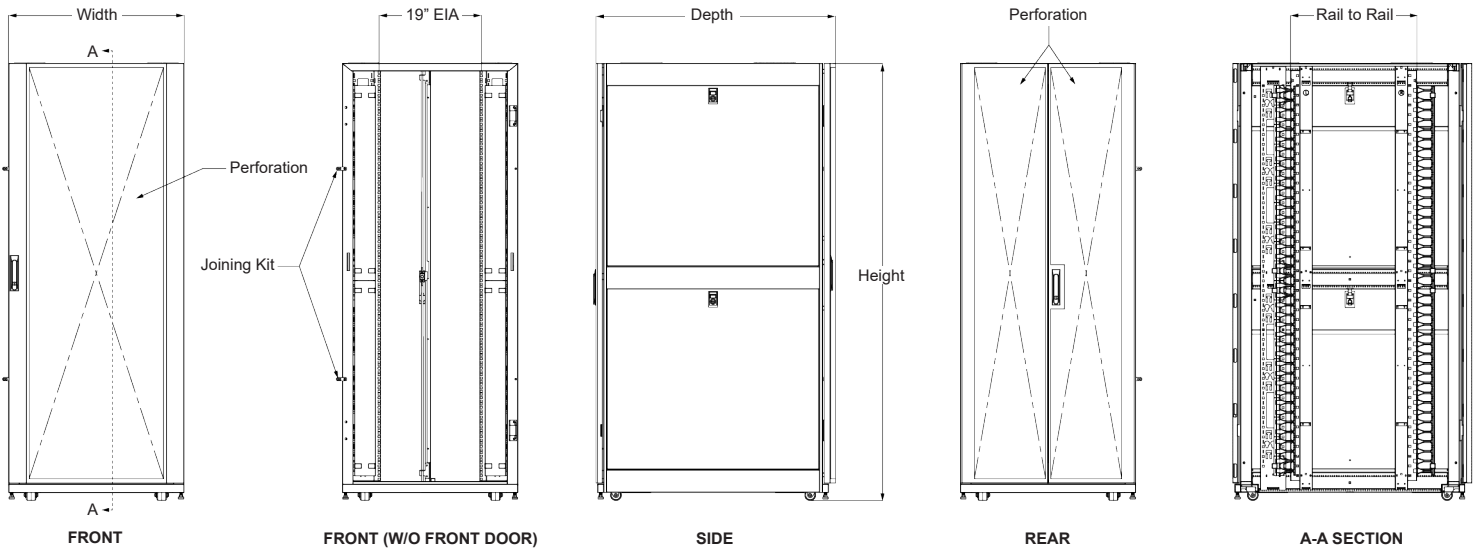
©2023 SharkRack. All rights reserved. SharkRack™ and the SharkRack logo are trademarks or registered trademarks of SharkRack. All other names and logos referred to are trade names, trademarks, or registered trademarks of their respective owners. While every precaution has been taken to ensure accuracy and completeness, SharkRack assumes no responsibility and disclaims all liability for damages resulting from use of this information or for any errors or omissions. Specifications, rebates, and other promotional offers are subject to change at SharkRack's sole discretion upon notice.



SERVER AND NETWORK CABINETS



TECHNICAL SPECIFICATIONS - 800 MM WIDE



©2023 SharkRack. All rights reserved. SharkRack™ and the SharkRack logo are trademarks or registered trademarks of SharkRack. All other names and logos referred to are trade names, trademarks, or registered trademarks of their respective owners. While every precaution has been taken to ensure accuracy and completeness, SharkRack assumes no responsibility and disclaims all liability for damages resulting from use of this information or for any errors or omissions. Specifications, rebates, and other promotional offers are subject to change at SharkRack's sole discretion upon notice.

