

ELECTRONIC RACKS

SRK ELECTRONIC RACK SERIES

SRK Electronic Rack Series is an extremely heavy-duty product line capable of handling 3,500 lbs. It is made to organize and securely store rack mountable electronics and other items such as test and measurement equipment. With adjustable mounting rails, SRK Electronic Racks provide flexibility to change the rail depth in 10 mm increments. Additional space in the rear allows for cables to be run vertically without disrupting airflow. The doors are removable for easy access to the inner rack. The entire product will ship as configured, there is no assembly required.



42U Cabinet



FEATURES

- Available in four heights; 36U, 40U, 42U, and 45U.
- 19" EIA mounting in a slim overall width of 22.50".
- Two depths (without doors) available; 31.50" and 36.80".
- Locking front and rear doors.
- Front door with perforation for airflow.
- Plated Tapped mounting rails are adjustable front to rear.
- Solid bottom panel with knockouts for access.
- Grounding kit and baying hardware included.
- Levelers and heavy-duty casters are standard.
- Full range of optional accessories.
- Other color choices available upon request.
- Mounting hardware included.

PAINT/FINISH

Textured black powder

STATIC LOAD RATING

3500 lbs. [1586 kg.]

DYNAMIC LOAD RATING

2500 lbs. [1134 kg.]

INDUSTRY STANDARDS

EIA 310-D



ELECTRONIC RACKS



ADJUSTABLE MOUNTING RAILS

Fully adjustable front-to-rear.
.40" (10 mm) Increments.
Numbers assist with alignment.

22.50" Wide - 19" EIA

LIFT OFF DOORS

Quick release. Easy on and off.
Field reversible. 120° of rotation.
Ground wire and locks included.



INTEGRATED CABLE MANAGEMENT

The top has integrated cable entry/exit points. Each cabinet includes two vertical cable managers.



ELECTRONIC RACKS



PART NUMBERS

These cabinets come fully assembled on a pallet and include: Frame, Two Pair Plated Rails with Tapped Holes, Solid Side Panels, Perforated Door on Front, Solid Door on Rear, Top with Brush Cable Pass Through Slots, Two Vertical Lacing Panels, Bus Bar, Solid Bottom Panel, Casters, Levelers, and Mounting Hardware.

31.50" Deep Frame Part Number	Rack Units	Overall Dimensions With Doors H x W x D in. (mm)	Maximum Rail to Rail Depth in. (mm)	Depth with Doors Open in. (mm)		
				D1	D2	D3
21S36-2231CS-MMA	36U	69.03" x 22.50" x 35.16" (1753 mm x 572 mm x 893 mm)	21.70" .40" Increments (551 mm) (10 mm Increments)	53.11" (1349 mm)	53.11" (1349 mm)	72.60" (1844 mm)
21S40-2231CS-MMA	40U	76.03" x 22.50" x 35.16" (1931 mm x 572 mm x 893 mm)	21.70" .40" Increments (551 mm) (10 mm Increments)	53.11" (1349 mm)	53.11" (1349 mm)	72.60" (1844 mm)
21S42-2231CS-MMA	42U	79.53" x 22.50" x 35.16" (2020 mm x 572 mm x 893 mm)	21.70" .40" Increments (551 mm) (10 mm Increments)	53.11" (1349 mm)	53.11" (1349 mm)	72.60" (1844 mm)
21S45-2231CS-MMA	45U	84.78" x 22.50" x 35.16" (2153 mm x 572 mm x 893 mm)	21.70" .40" Increments (551 mm) (10 mm Increments)	53.11" (1349 mm)	53.11" (1349 mm)	72.60" (1844 mm)

36.80" Deep Frame Part Number	Rack Units	Overall Dimensions With Doors H x W x D in. (mm)	Maximum Rail to Rail Depth in. (mm)	Depth with Doors Open in. (mm)		
				D1	D2	D3
21S36-2236CS-MMA	36U	69.03" x 22.50" x 40.48" (1753 mm x 572 mm x 1028 mm)	27.00" .40" Increments (686 mm) (10 mm) Increments	58.43" (1484 mm)	58.43" (1484 mm)	77.91" (1979 mm)
21S40-2236CS-MMA	40U	76.03" x 22.50" x 40.48" (1931 mm x 572 mm x 1028 mm)	27.00" .40" Increments (686 mm) (10 mm) Increments	58.43" (1484 mm)	58.43" (1484 mm)	77.91" (1979 mm)
21S42-2236CS-MMA	42U	79.53" x 22.50" x 40.48" (2020 mm x 572 mm x 1028 mm)	27.00" .40" Increments (686 mm) (10 mm) Increments	58.43" (1484 mm)	58.43" (1484 mm)	77.91" (1979 mm)
21S45-2236CS-MMA	45U	84.78" x 22.50" x 40.48" (2153 mm x 572 mm x 1028 mm)	27.00" .40" Increments (686 mm) (10 mm) Increments	58.43" (1484 mm)	58.43" (1484 mm)	77.91" (1979 mm)

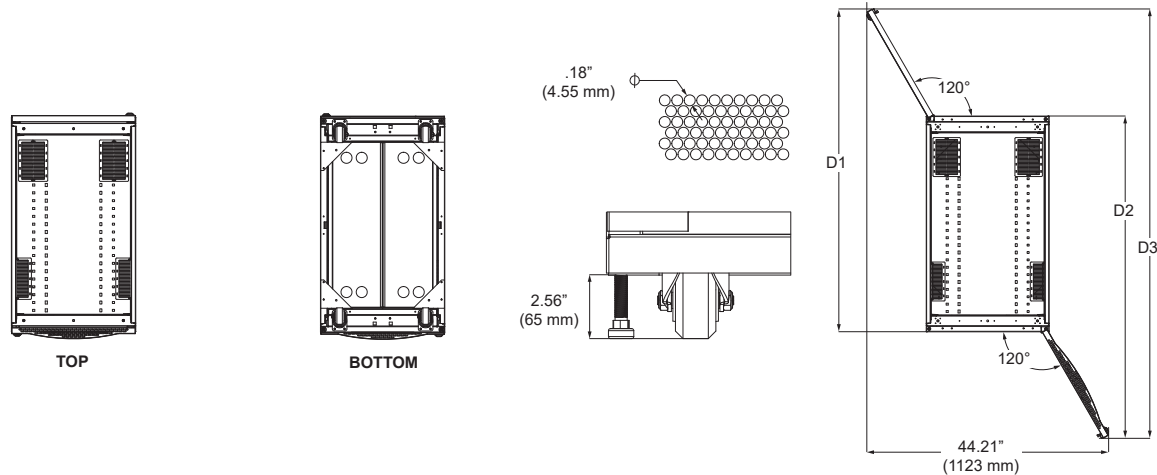
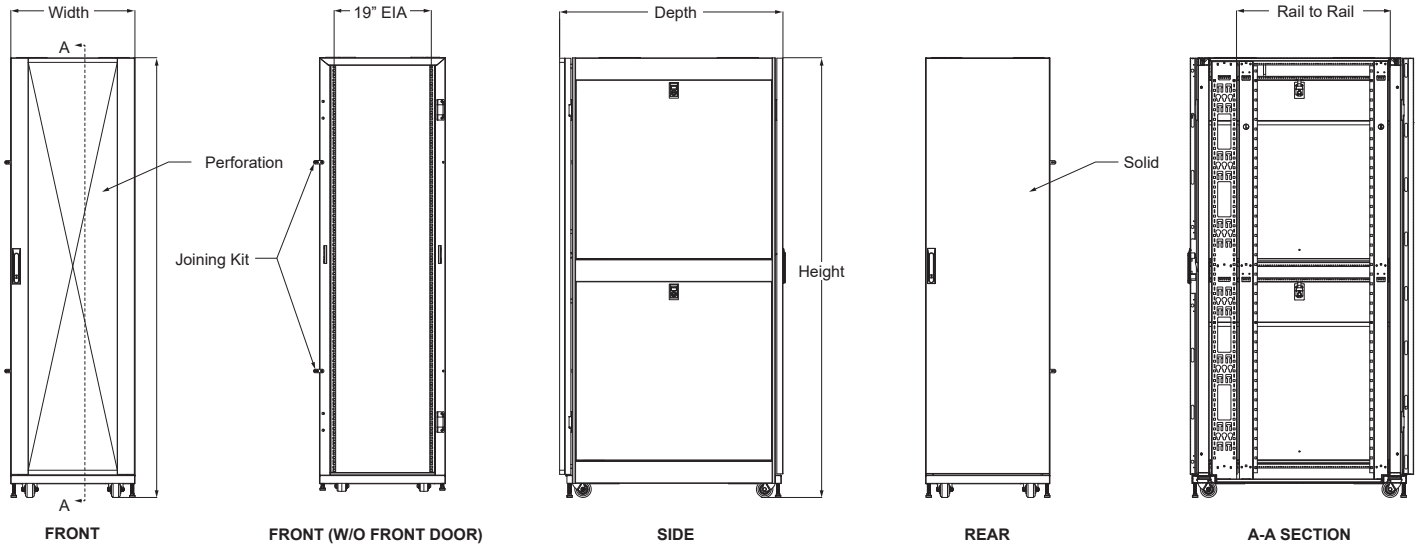
©2023 SharkRack. All rights reserved. SharkRack™ and the SharkRack logo are trademarks or registered trademarks of SharkRack. All other names and logos referred to are trade names, trademarks, or registered trademarks of their respective owners. While every precaution has been taken to ensure accuracy and completeness, SharkRack assumes no responsibility and disclaims all liability for damages resulting from use of this information or for any errors or omissions. Specifications, rebates, and other promotional offers are subject to change at SharkRack's sole discretion upon notice.



ELECTRONIC RACKS



TECHNICAL SPECIFICATIONS



©2023 SharkRack. All rights reserved. SharkRack™ and the SharkRack logo are trademarks or registered trademarks of SharkRack. All other names and logos referred to are trade names, trademarks, or registered trademarks of their respective owners. While every precaution has been taken to ensure accuracy and completeness, SharkRack assumes no responsibility and disclaims all liability for damages resulting from use of this information or for any errors or omissions. Specifications, rebates, and other promotional offers are subject to change at SharkRack's sole discretion upon notice.

